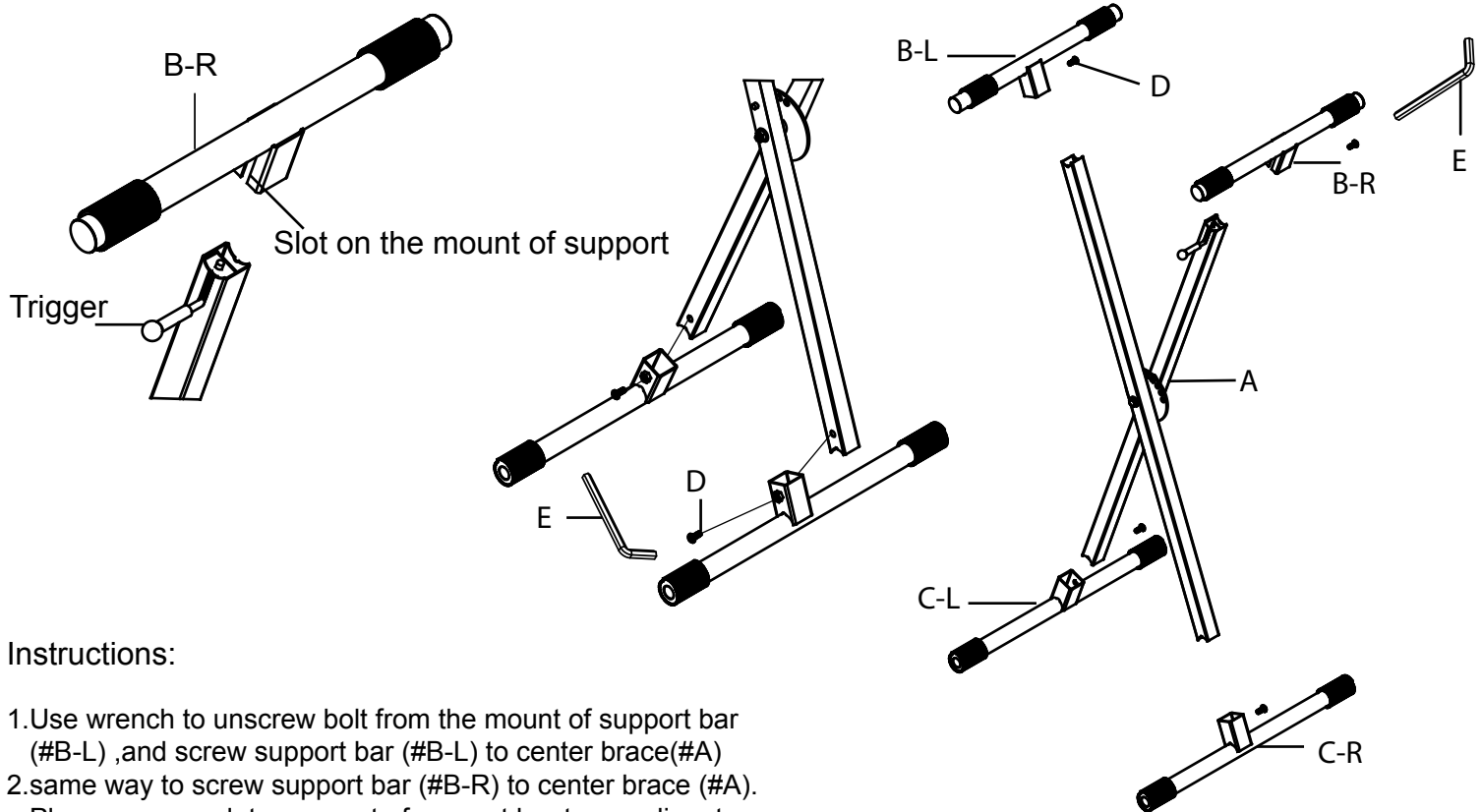


STRUKTURE[®]

STANDS



Instructions:

1. Use wrench to unscrew bolt from the mount of support bar (#B-L), and screw support bar (#B-L) to center brace (#A).
2. same way to screw support bar (#B-R) to center brace (#A). Please ensure slot on mount of support bar to coordinate trigger in place.
3. Same way to screw foot bars (#C-L/ #C-R) to center brace (#A).
4. Screw holes are not in the center of support bars and foot bars. Please see indications of #B-L/ #B-R and #C-L/ #C-R on instruction sheet.

List of Parts:

Part No.	Part name	Q' ty
A	Center Brace	1
B-L	Keyboard Support Bars-L	1
B-R	Keyboard Support Bars-R	1
C-L	Foot Bars-L	1
C-R	Foot Bars-R	1
D	Socket Flat Head Screws	4
E	Allen Wrench	1

